

HARDWARE / SPECIFICATIONS / FEATURES / ACCESSORIES

Console



Sensor



Wireless Internet Requirement	10+ mbps up and down.
Power Requirements	115/230V, 15 amp*, 50/60 Hz, 1 ph †
Processor	Intel® Core™ i3 - 3.6 Ghz (or greater)
Memory	4 GB of DDR3 SDRAM
Hard Drive	250.0 GB SSD (or greater)
Wireless Keyboard and Mouse	Yes - Standard
Monitor Class	27", 32" Widescreen LED
Operating System	Windows® 10
Supports DSP740T Sensors	No
Supports TD Targets	Yes - Standard
Supports HiDef Targets	No
Console with Printer Drawer	Yes - Standard
Console-top Storage and Charging	Yes - Standard
Color Ink Jet Printer	Yes - Standard
Award-Winning WinAlign® Software	Yes - Standard
Vehicle Alignment Specifications (30 plus years)	Yes - Standard - 2 Years Free Updates
ADAS Specifications (Most Honda and Acura)	Yes - Standard - 2 Years Free Updates
CodeLink® Steering System Reset **	Yes - Standard
Complete TPMS Reset Database	Yes - Standard
Live Ride Height Adjustment	Optional
Fully Integrated Alignment	Yes (FIA Equipped Rack Required)
Modified Vehicle Alignment	Yes - Standard with WinAlign Tuner™
Vehicle Inspection with Photos	Yes - Standard
Tools and Kits - Basic Catalog	Yes - Standard
Tools and Kits - Video and Photos	Yes - Standard
Equipment Video Help / Assistance	Yes - Standard
HunterNet featuring WebSpecs®	Yes - 2 Years Free Standard
Training and Productivity Aids	4,000+ Photos, 1,600+ Illustrations, 400+ Videos and Animations
Steering Wheel Holder	Yes - Standard
Brake Pedal Depressor	Yes - Standard
Wireless Remote	Yes - Standard
Power Line Filter	Yes - Standard
Drive-on Camera Compatible	Yes - Standard

* Amperage shown is minimal circuit rating. ** Wireless CodeLink (Refer to Form 1708T for coverage information)
 *** PC located in Sensor cabinet. † Isolated Ground Recommended

For aligner information visit:
www.hunter.com/honda-ultimate-adas

For local contact visit:
www.hunter.com/contact/

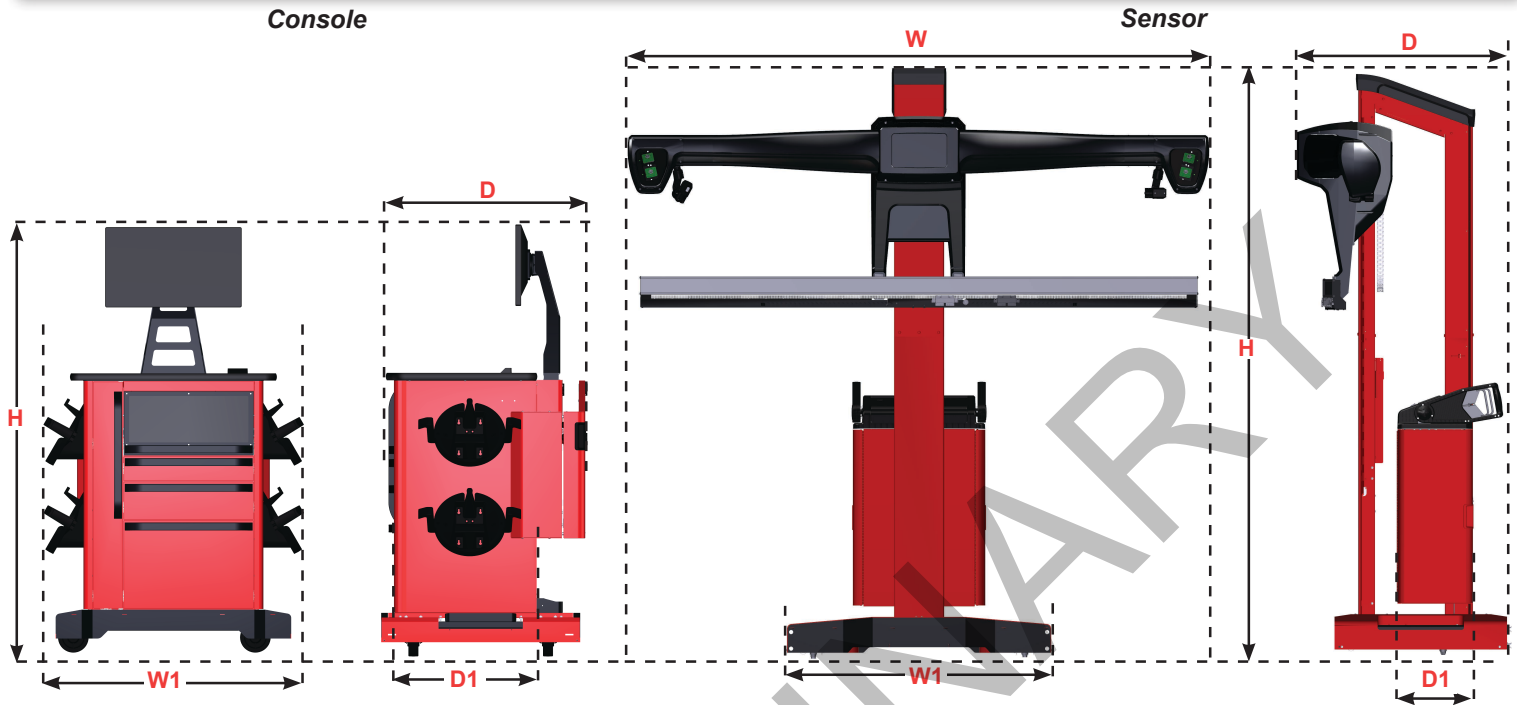
For general inquiries visit:
www.hunter.com or call 800-448-6848

Continued on Reverse



Because of continuing technological advancements, specifications, models and options are subject to change without notice.

CONSOLE AND SENSOR CONFIGURATIONS



Space consideration for storage of accessories: For console, add 10 inches to depth for accessories. For Sensor, add 29 inches to width for TD targets.

	CONSOLE	SENSOR
LCD Monitor	27, 32 in. Wide-screen LED	-
Width (W)	-	105 in. 2667 mm
Height (H)	71 in. 1803 mm	109 in. 2768 mm
Depth (D)	32 in. 812 mm	36.5 in. 927 mm
Base Width (W1)	38 in. 965 mm	47.5 in. 1206 mm
Cabinet Height (H1)	46 in. 1168 mm	-
Cabinet Depth (D1)	23 in. 584 mm	13.5 in. 343 mm
Shipping Weight	525 lbs. 238 kg	850 lbs. 385 kg

	UAD1
Sensor Mount Type	Adjustable Mobile Sensor Mount
Power Requirements	Supplied by Sensors Cabinet
TD Targets	✓
QuickGrip Adaptors	✓
Vertical Camera Adjustment	✓
Mobile - Bay-to-Bay	✓
QuickComp	✓
High Resolution Cameras	✓
FIA Compatible	✓
Multiple Target Storage Configurations	✓

*Side doors of Sensor cabinet have optional holes for target holder mounting.

For aligner information visit:
www.hunter.com/honda-ultimate-adas

For local contact visit:
<https://www.hunter.com/contact/>

For general inquiries visit:
www.hunter.com or call 800-448-6848

Because of continuing technological advancements, specifications, models and options are subject to change without notice.

Continued on Page 3



SPECIFICATIONS / ADJUSTMENTS / MEASUREMENTS



SPECIFICATIONS	
Metal on Metal Contact	Non-Contact
Weight of Target	6 lbs
Profile of Target	9 in.
Installation Time	5 seconds
Rolling Compensation Style	Forward
Camera Resolution	2,608 x 1,952 20,000,000 px
Track Width	80 in.
Wheel Base	210 in.
Distance to Wall	86 - 127 in.
Suggested Distance	119 in.
Short Bay Distance (see site info)	86 in.

ADJUSTMENTS	
Way Up Way Out WinToe	✓*
Wheel-Off Adjustment	Optional

MEASUREMENTS	
S.A.I. & Included Angle	✓
Set Back	✓
Max Steering Angle	To Lock*
Live Ride Height	Standard **
Wheelbase Difference	✓
Track Width Difference	✓
Tread Width Difference	✓
Lateral Offset	✓
Rear Set Back	✓
Axle Offset	✓
SBDA	✓**
Body Angle	✓**
Body Wheel Offset & Setback	✓**
Body Roll	✓**

* Requires standard wide-angle target extensions.

** Requires Ride Height targets. Standard for Ultimate ADAS.

Ultimate ADAS compatible with WinAlign version 18 or greater software.

INCLUDED WITH ALL UAD1 SENSORS

Quick-Change Arms



Protective Rings for Deep Wheel Extensions



Ride Height Targets



Protective Rings for Quick-Grip Adaptors



Deep-Wheel Extensions



TD Targets



Target Storage Brackets



QuickGrip Adaptors

