

# **GSP9600HD ForceMatch® HD**

*The world's #1 heavy-duty diagnostic balancer*



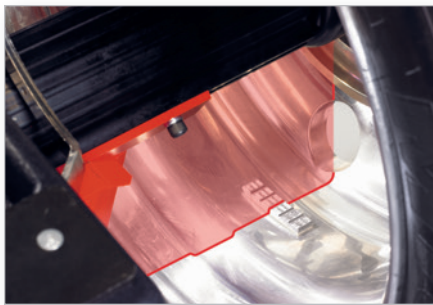
# Quickly measure runout with every balance



**PATENTED**

## Load roller

- ✓ Roller detects high spot of tire and allows matching
- ✓ Measures entire contact patch for accurate results



**STANDARD**

## Bottom-dead-center laser

- ✓ Speeds tape-weight placement
- ✓ Improves accuracy



## Printer option

- ✓ Prints service report
- ✓ Explain results to customers



*GSP962243E shown with options*



*PATENTED*

### SmartWeight®

- ✓ Odometer tracks savings
- ✓ Minimizes weight usage
- ✓ Maximizes productivity



*PATENTED*

### CenteringCheck®

- ✓ Ensures proper centering
- ✓ Eliminates setup errors



*PATENTED*

### HammerHead® option

- ✓ Speeds clip-weight placement
- ✓ Improves balance



### Dataset® Arms

- ✓ Auto-select balancing mode
- ✓ Perform runout measurement on rim



*STANDARD*

### Wheel lift

- ✓ Easily lifts wheel assemblies up to 227 kg (500 lbs.)
- ✓ Aids proper mounting



### Balance any size wheel

- ✓ Services cars and light trucks
- ✓ Uses standard adaptors

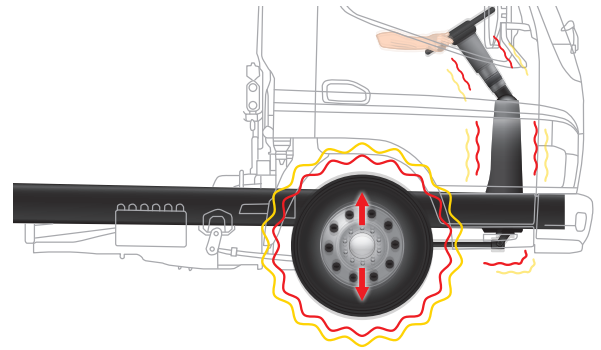


# Eliminate wheel-related vibration

step

## An unknown force vibrates the spindle

*Customer complains about strong vehicle vibrations.*



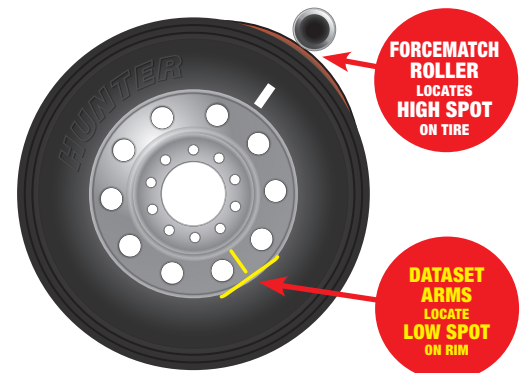
Vibration is transferred from the wheel, through the steering column to the customer.

step

## Specialized sensors measure the assembly



The ForceMatch HD balancer quickly measures runout (eccentricity) of a tire and wheel assembly.



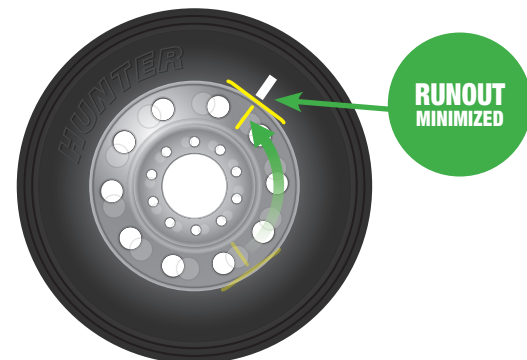
The roller measures the **entire** contact patch of the tire, detecting if the assembly is out of round.

step

## Match-mounting cancels the vibration

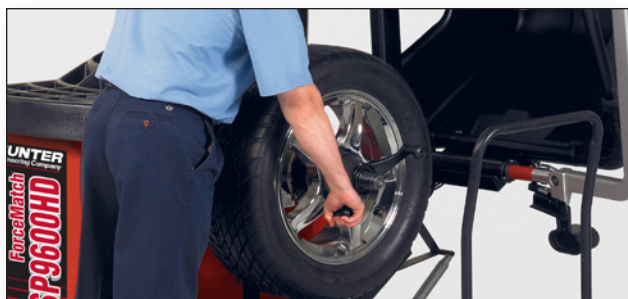


Match-mounting the high spot on a tire to the low spot on a rim makes the assembly roll as smoothly as possible.



Runout-related vibration is minimized, ensuring your customer a smoother ride.

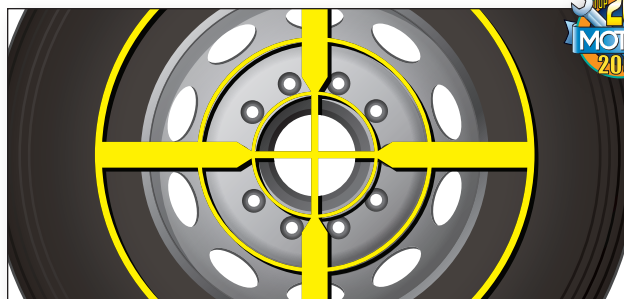
# Exclusive features make balancing faster and easier



## Balance any size wheel

Service passenger-car, light-truck and heavy-duty assemblies with one balancer.

- ✓ **Generate more business, higher profits**



PATENTED

## CenteringCheck®

Balancer will tell you if the wheel is properly centered before you proceed with the work.

- ✓ **Eliminate the #1 cause of comebacks**



PATENTED

## Automatic mode detection

Eliminate the need to select the balance mode and reduce service time and possible mode entry errors.

- ✓ **No need to push buttons**



PATENTED

## Servo stop drive control

Automatically rotates and holds wheel at top-dead-center or bottom-dead-center weight locations.

- ✓ **Saves time and increases accuracy**

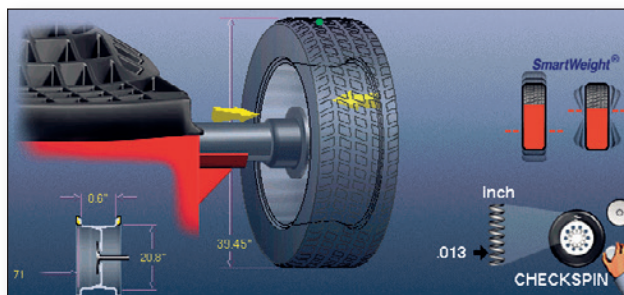


PATENTED

## Quick Cal-Check®

Quickly verify balancer calibration in seconds.

- ✓ **Ensures proper calibration**



EXCLUSIVE

## High-spot detection

Match dual wheels to improve tire wear.

- ✓ **Save money on tires, improve ride quality**

# Exclusive features *continued...*

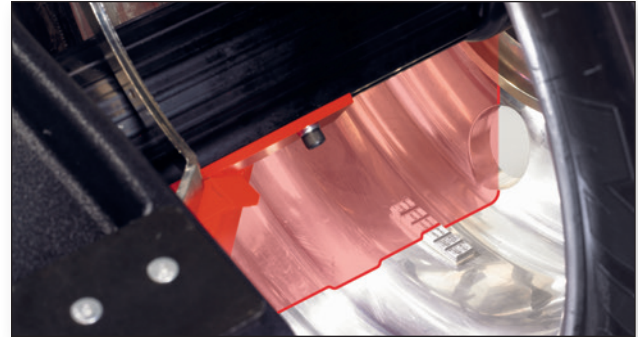


**STANDARD**

## Integrated wheel lift

Easily lifts the heaviest wheel assemblies for effortless mounting on the balancer.

- ✓ **Precisely centers all wheels**



**STANDARD**

## Bottom-dead-center laser

Automatically locates and positions wheel at bottom-dead-center for adhesive weight application.

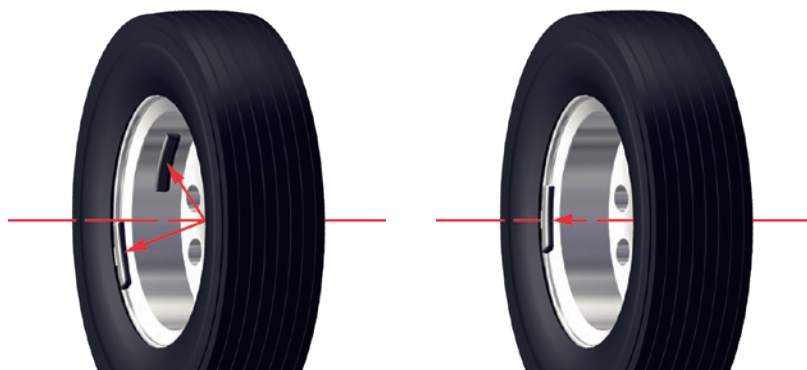
- ✓ **Pinpoint your weight locations to avoid weight chasing.**

# SmartWeight® reduces labor costs and service time

- ✓ Provides better balance
- ✓ Maximizes productivity
- ✓ Minimizes weight usage
- ✓ Reduces labor costs

## Saves labor time

SmartWeight reduces “floor-to-floor” cycle time on more than 30% of wheels balanced by optimized use of a single weight to achieve the best possible balance.



**Typical Correction**  
✓ Double Weight

**SmartWeight Correction**  
✓ Single Weight

**View your savings LIVE!**

**HUNTER**  
Engineering Company

Patented & Exclusive  
SmartWeight®

€6496.59  
548g

Savings since 3/1/2013

- ✓ Track your weight savings

**Watch your investment grow**

SmartWeight Savings			
Lifetime Savings			
Material Savings		Labor Savings	
Grams	548390	Minutes	2,560.2
Kilograms	548	Hours	42.7
Boxes (mixed)	635.0		
Savings	€6035.36	Savings	€454.95
Total		€6490.31	

- ✓ See weight and labor savings based on **your** shop's numbers

# Popular equipment accessories

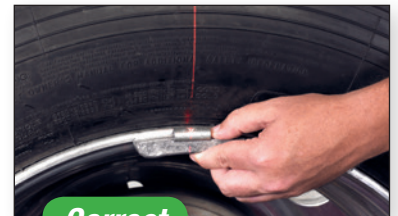


**PATENTED** *OPTIONAL*

## HammerHead® top-dead-center laser

- ✓ Greater weight placement accuracy to avoid mistakes
- ✓ More single-spin balances improve productivity and shop profitability
- ✓ Overhead fluorescent light illuminates work area

*Available as a field-installed option*



**OPTIONAL**

## Color printer\*

- ✓ Help sell premium service
- ✓ Explain results to customer

*Available as a field-installed option*



**STANDARD**

## Convenient storage options

Adaptor tree conveniently stores oversized balancer accessories.

\* Printer model may vary from pictured

# Specifications



**GSP962243E** shown with options

<b>Power requirements</b>	196-253V, 10 amp, 50/60 Hz, 1 ph
<b>Air supply requirements</b>	7–12 bar (100–175 psi)
<b>Capacity</b>	
Rim width	38 – 495 mm (1.5 – 19.5 in.)
Rim diameter	254 – 762 mm (10 – 30 in.)*
ALU	191 – 965 mm (7.5 – 38 in.)*
Auto Inside Dataset® range	254 – 762 mm (10 – 30 in.)
Max. tire diameter	1321 mm (52 in.)
Max. tire width	495 mm (19.5 in.)
Max. tire weight	227 kg (500 lbs.)
Min. tire diameter for roller application	660 mm (26 in.)
<b>Imbalance resolution</b>	± 1.0 g (0.05 oz)
<b>Placement accuracy</b>	512 positions, ± 0.35°
<b>Balancing speed</b>	100 rpm
<b>Motor</b>	Programmable drive system and DC motor
<b>Dimensions</b>	
	1753 mm (W) x 2057 mm (H) x 1854 mm (D) 69 in. (W) x 81 in. (H) x 73 in. (D)
<b>Shipping weight</b>	377 kg (832 lbs.)

\* Extreme wheel sizes may require manual data entry.

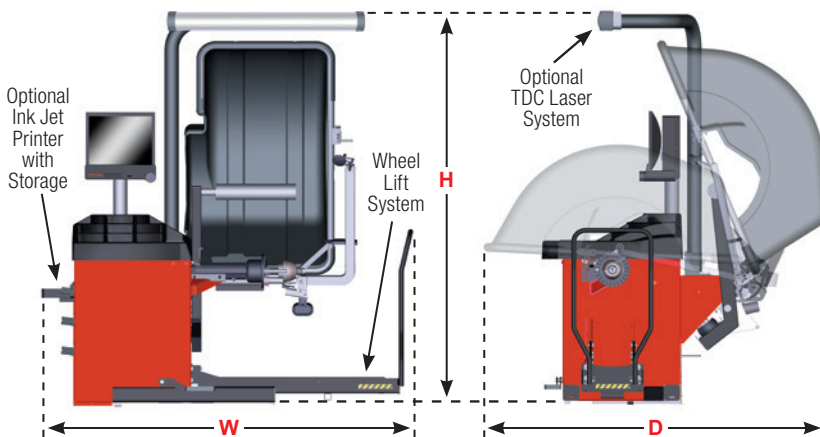
## Model

**GSP962243E** GSP9600HD balancer with pneumatic wheel lift



## Optional Equipment

- 20-2288-1** HammerHead® top-dead-center (TDC) laser kit
- 20-2083-1** Rear-mounted printer support. Includes mounting hardware. Printer not included.
- 20-2274-2** Heavy-duty and bus, 8-10 lug
- 20-1602-1** TruckChuck wheel and drum balancing kit. Includes chuck and jaws, (175-286-2, 9 in. clamp cup 175-296-2, 9 in. protector sleeve 106-127-2 and 20-1854-2 extended jaws kit)
- 20-2761-2** Truck ECO adapter kit



*Because of continuing technological advancements, specifications, models and options are subject to change without notice.*

*Printer may differ from versions shown throughout brochure images.*

**HUNTER**  
Engineering Company

[www.hunter.com](http://www.hunter.com)

11250 Hunter Drive, Bridgeton, MO 63044, USA  
Tel: +1-314-731-3020, Fax: +1-314-731-0132  
Email: [international@hunter.com](mailto:international@hunter.com)

